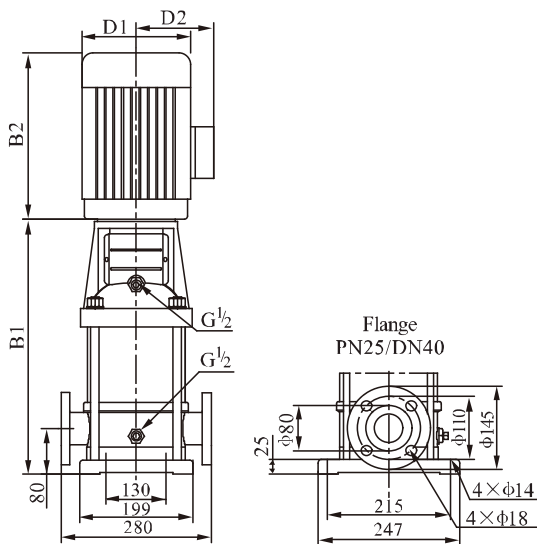


표준 사양

| Model | motor | | Q (m ³ /h) | 7 | 8 | 9 | 10 | 11 | 12 | 13 | 14 |
|-----------|-------|------|--------------------------|-----|-----|-----|-----|-----|-----|-----|-----|
| | (kW) | (hp) | | | | | | | | | |
| BL(T)8-2 | 1.5 | 2 | H (m) | 27 | 26 | 25 | 24 | 23 | 22 | 20 | 18 |
| BL(T)8-3 | 2.2 | 3 | | 41 | 40 | 38 | 37 | 35 | 33 | 30 | 28 |
| BL(T)8-5 | 3 | 4 | | 70 | 68 | 65 | 63 | 59 | 56 | 52 | 47 |
| BL(T)8-6 | 4 | 5.5 | | 85 | 82 | 78 | 76 | 72 | 68 | 62 | 57 |
| BL(T)8-8 | 5.5 | 7.5 | | 115 | 110 | 105 | 101 | 97 | 91 | 84 | 75 |
| BL(T)8-9 | 5.5 | 7.5 | | 130 | 125 | 118 | 113 | 109 | 103 | 94 | 85 |
| BL(T)8-10 | 7.5 | 10 | | 145 | 140 | 132 | 126 | 122 | 115 | 105 | 95 |
| BL(T)8-12 | 7.5 | 10 | | 173 | 167 | 160 | 152 | 147 | 132 | 125 | 115 |
| BL(T)8-14 | 11 | 15 | | 202 | 195 | 188 | 179 | 174 | 163 | 147 | 135 |

외형도 / 치수 및 무게



| Model | Size (mm) | | | | | Weight (kg) |
|-----------|-----------|-----|-------|-----|-----|----------------|
| | B1 | B2 | B1+B2 | D1 | D2 | |
| BL(T)8-2 | 357 | 290 | 647 | 190 | 155 | 32 |
| BL(T)8-3 | 387 | 290 | 677 | 190 | 155 | 37 |
| BL(T)8-5 | 457 | 315 | 772 | 197 | 165 | 47 |
| BL(T)8-6 | 487 | 335 | 822 | 230 | 188 | 52 |
| BL(T)8-8 | 567 | 430 | 997 | 260 | 208 | 77 |
| BL(T)8-9 | 627 | 430 | 1057 | 260 | 208 | 82 |
| BL(T)8-10 | 627 | 430 | 1057 | 260 | 208 | 87 |
| BL(T)8-12 | 687 | 430 | 1117 | 260 | 208 | 87 |
| BL(T)8-14 | 835 | 490 | 1325 | 330 | 255 | 132 |

성능곡선도 60Hz

